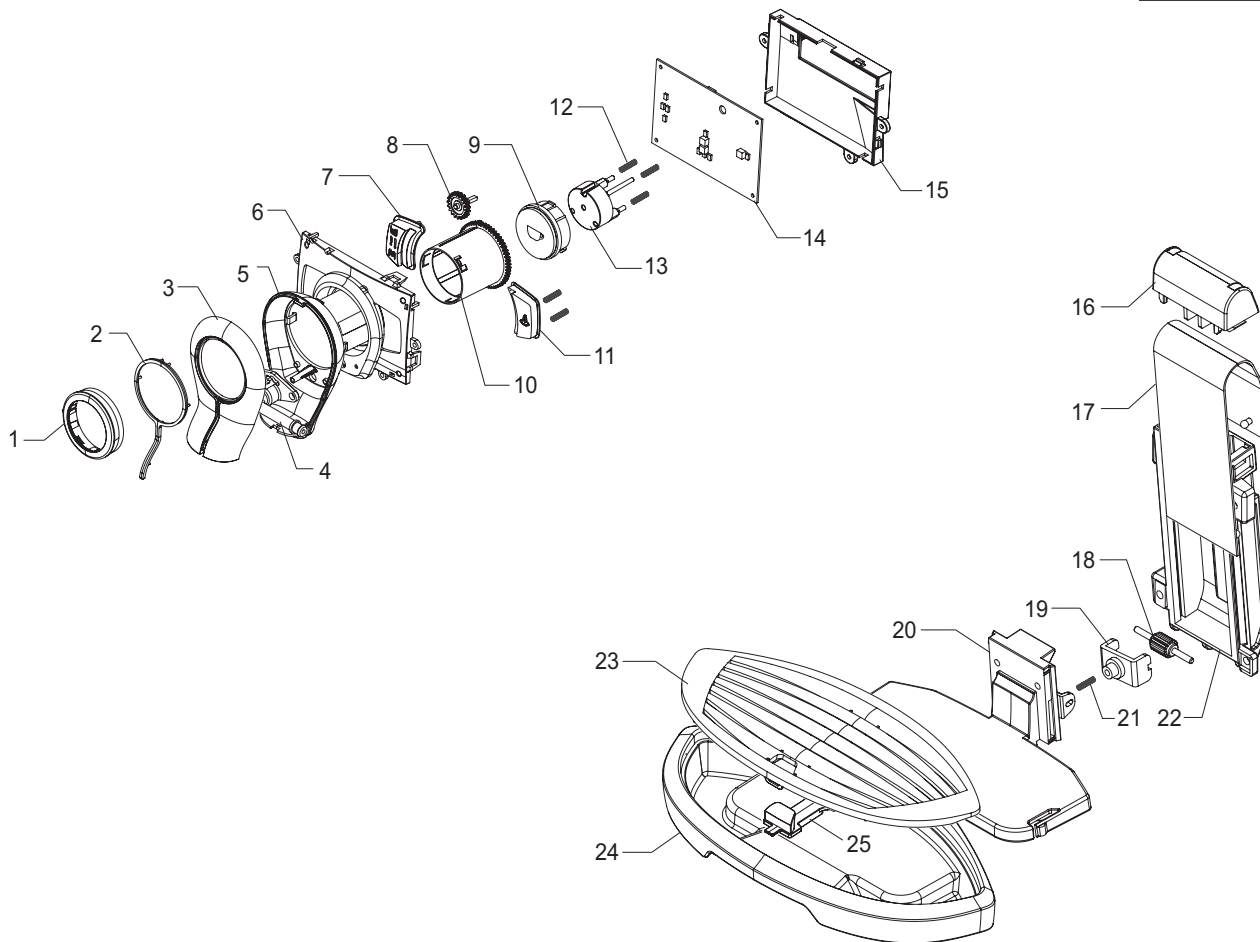


Saeco SUP0310
INTERNATIONAL GROUP

CE Cod. 1000205-248

POS	CODE	DESCRIPTION	NOTE	POS	CODE	DESCRIPTION	NOTE
01	15000267	MANUAL INSTRUCTIONS SAECO P0049/A NL/PL		38	11004592	CARBONA ON-OFF BUTTON INSERT P0049	
	15000720	MANUAL INSTRUCTIONS SAECO P0049/A D/I		39	11004378	SILVER ON-OFF SWITCH BUTTON P0049 S.SCR.	
	15000721	MANUAL INSTRUCTIONS SAECO P0049/A GB/F		40	11001437	BLACK CAP FOR CONNECTIONS P0049/P0053	
	15000722	MANUAL INSTRUCTIONS SAECO P0049/A E/P		41	11001339	TRANSPALTE INFRAREDS PLATE P0049	
02	127390100	BRUSH FOR CLEANING		42	NF11.084	FOLK SPRING	
03	11003785	BLACK GRINDER ADJUSTMENT KEY P0049		43	11001624	STEAM TUBE WASHER P0049	
04	183911050	POWER CABLE SCHUKO BLACK L=1200		44	11001368	BLACK KNOB SEAL P0049	
	183930650	PO.CABL.CH BLACK 3X1 H05VV-F L=1200		45	11003154	BLACK REED SENSOR SUPPORT P0049	
05	13000123	UPPER TECHMATE INSERT FOR BOX P0049		46	1501.098	SILICONE GREASE CONFECTIONS	
06	13000122	LOWER TECHMATE INSERT FOR BOX P0049		47	11005040	SPRING FOR ON-OFF BUTTON P0049	
07	13000124	DISPLAY BOX SAECO P0049		48	11003661	REED SENSOR MK3-1A66-BV16451	
08	11001746	TRANSPARENT WATER CONTAINER P0049 ASSY.		49	129912702	SCREW PT TORX 3X10 WN 1411 GALVANIZ	
09	224640200	EXTERNAL FILTER FOR WATER CONTAINER ASSY	WITH PART. N°10				
10	140328461	EPDM OR METRIC 0190-10					
11	11003672	SPRING FOR WATER CONTAINER VALVE P0049					
12	11003673	GREY WATER CONTAINER VALVE INSERT P0049					
13	11003671	TRANSP.VALVE FOR WATER CONTAINER P0049					
14	11001298	BLACK LID FOR DUCKBILL VALVE					
15	11001308	NATURAL/GREY WATER CONTAINER LID P0049					
16	11001740	MOUNTING PLATE WITH PIN P0049 ASSY.					
17	11000223	BLACK WHEEL FOR CASING BOTTOM P124					
18	11004381	SILVER COVER P0049					
19	11004374	SILVER WATER-STEAM KNOB P0049 S.SCREEN					
20	11004142	SILVER PLATE LOGO SAECO NEW P0049/P0053					
21	11004907	BLACK PLATE WITH LOGO ODEA P0049 GO					
22	11004575	CARBONA RIGHT SIDE CASING P0049					
23	11004576	CARBONA LEFT SIDE CASING P0049					
24	11003533	BLACK DUMP BOX P0049 ASSY.					
25	11004579	CARBONA DRIP TRAY COFFEE UNIT P0049					
26	12000280	CUP SOCKET EN 60320 C 13					
27	11000592	SAIA 3292 GENERAL SWITCH FOR P124					
28	11004591	CARBONA WATER TANK OUTLET COVER P0049					
29	11001293	NATURAL/GREY BEAN CONTAINER P0049					
30	11001762	TRANSPAR.BEAN COFF.CONTAIN.LID ASS.P0049					
31	11002842	BLACK POWER BOARD PROTECTION P0049					
32	11001360	PWR BOARD P0049/P0053 230V					
33	9161.111	MAGNET FOR FLOAT SUPERAUTOM.					
34	11001362	SPRING FOR LOCK P0049					
35	11001340	BLACK DOOR PIN P0049					
36	11004578	CARBONA DOOR P0049					
37	11001091	BLACK INSIDE COVER DOOR P0049					



Saeco SUP0310
INTERNATIONAL GROUP



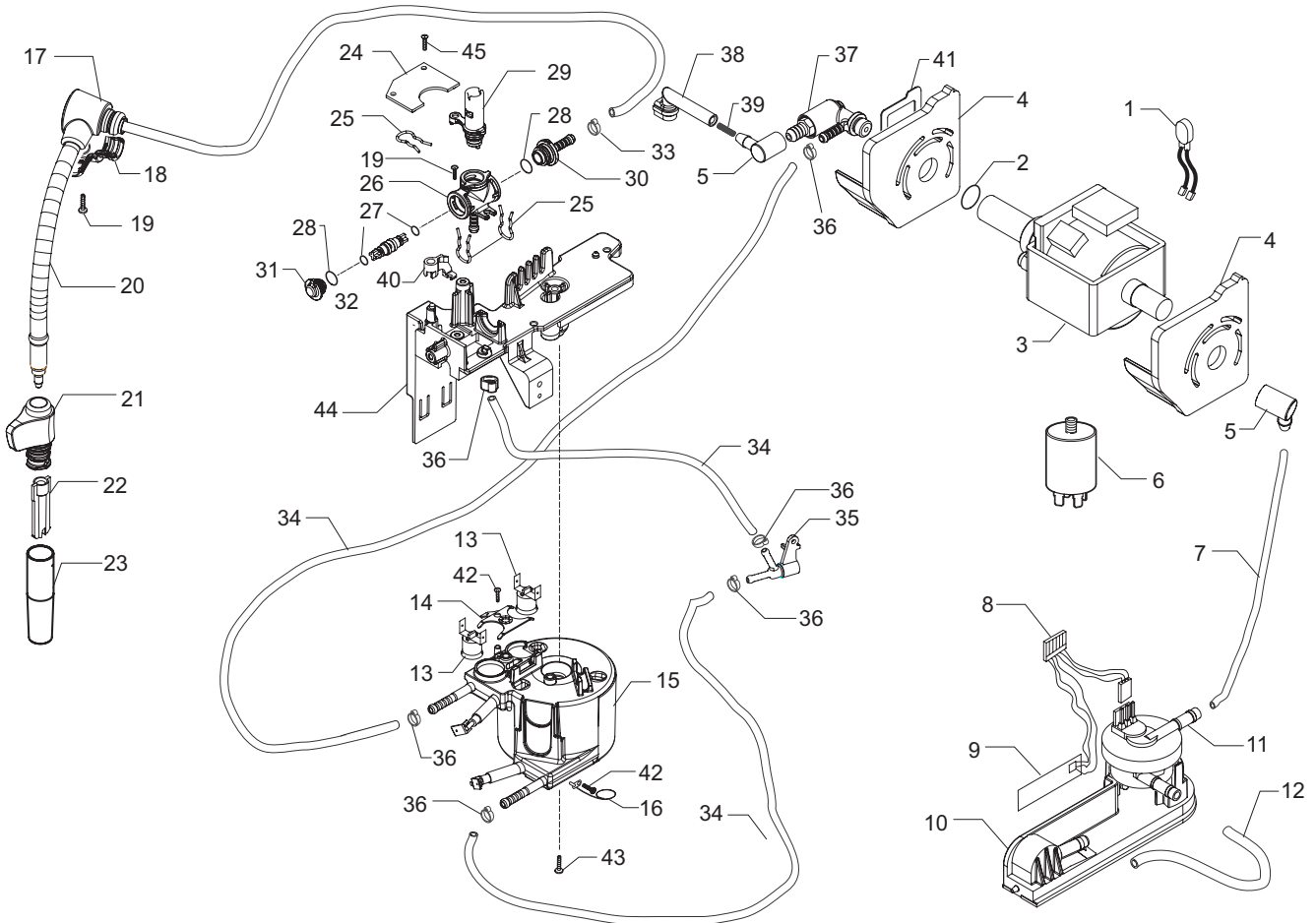
Cod. 1000205-248

POS	CODE	DESCRIPTION	NOTE	POS	CODE	DESCRIPTION	NOTE
01	11004387	SILVER HEIGHT REGULATION NUT P0049					
02	11001788	AMBRA COFFEE DISPENSER LENS P0049					
03	11004385	SILVER FRONT COF.DISPENSER COVER P0049					
04	11001772	INNER CASING COFFEE DISPENSER BLACK					
05	11004383	SILVER REAR COF.DISPENSER COVER P0049					
06	11004382	SILVER SUPPORT ELECTR.CARD P0049					
07	11001351	BLACK BUTTON FOR ALLARMS P0049					
08	11001320	BLACK GEAR Z=19 FOR P0049					
09	11004388	CARBONA COFFEE BUTTON P0049/A S.SCREEN					
10	11001314	BLACK SUPPORT FOR RING NUT P0049					
11	11001353	BLACK STEAM BUTTON P0049					
12	11001363	SPRING FOR BUTTONS P0049					
13	11001334	BLACK COFFEE BUTTON SPACER P0049/A					
14	11001092	AS.CPU+SW P0049					
15	11001299	BLACK SUPPORT ELECTR.CARD CPU P0049.					
16	11001304	BLACK DRIP TRAY GUIDE LID P0049					
17	11001438	SILVER DRIP TRAY SUPPORT PROTECT.P0049					
18	11001758	PIN WITH BLACK INSERT ASSY.P0049					
19	11001335	BLACK PIN INSERT FOR DRIP TRAY P0049					
20	11001295	BLACK DRIP TRAY SUPPORT P0049					
21	11001364	MOVE DRIP TRAY SPRING P0049					
22	11001294	BLACK DRIP TRAY GUIDE P0049					
23	11004379	SILVER GRATE FOR DRIP TRAY P0049					
24	11004380	CARBONA DRIP TRAY P0049					
25	11004185	AMBRA FLOAT FOR DRIP TRAY P0049					

Saeco SUP0310
INTERNATIONAL GROUP

Rev. 00 - 31/08/06

TAVOLA 2/5

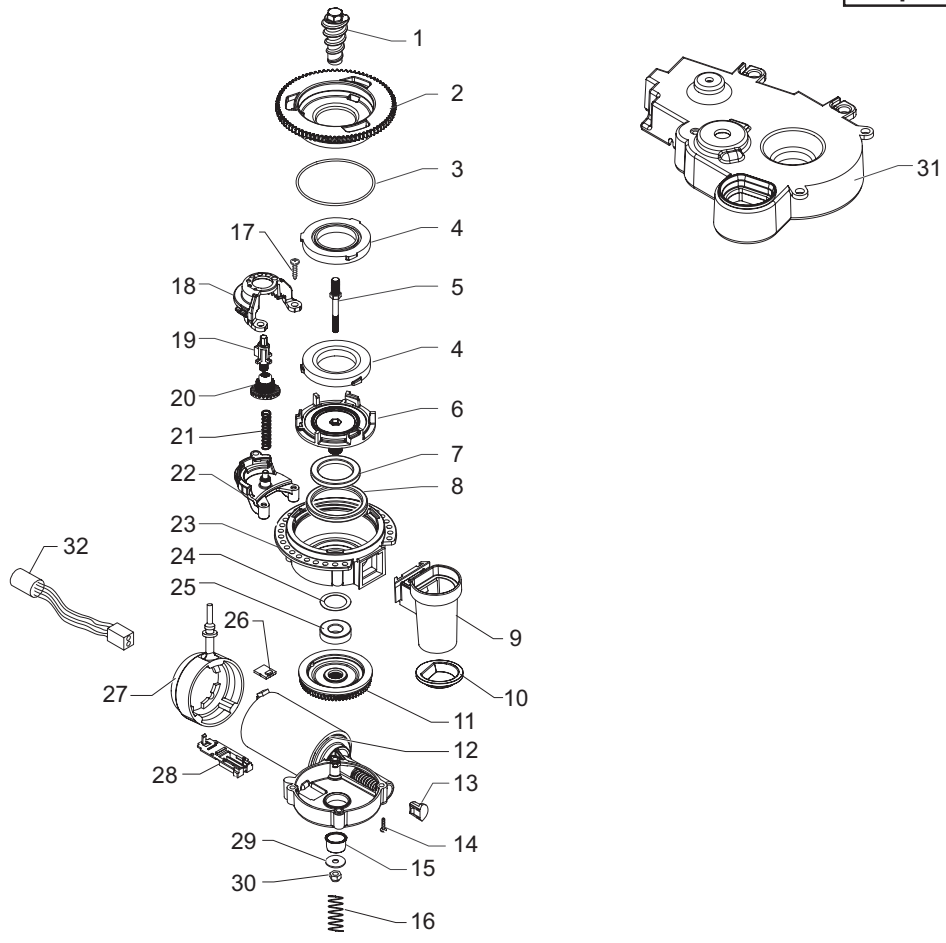


Saeco SUP0310
INTERNATIONAL GROUP

CE Cod. 1000205-248

POS	CODE	DESCRIPTION	NOTE
01	11001778	2POLES CONNECTOR PUMP P0049	
02	140321961	OR 2031 IN TERMOIL	WITH PART. N°37
03	12000140	ULKA PUMP EP5/S GW 230V-50HZ	
04	11001365	BLACK PUMP SUPPORT P0049	
05	147920150	90° CONNECTOR PUMP INLET	
06	12000005	ANTIDISTURB FILTER 10A FNC 1005474103P	
07	149360200	SILICONE TUBE 5X8 70SR IN ROLL	
08	11001790	6POLES CONNECTOR LEVEL+FLOWMETER P0049	
09	11000651	WATER LEVEL SENSOR BOARD P124	
10	11003670	BLACK TURBINE SUPPORT/V2 P0049	
11	NV99.099	DIGMESA TURBINE FHKSC 1,2 ARNITE OC	
12	JS01.022	SILICONE TUBE 5X10 60 SHORE IN ROLL	
13	189428600	THERMOSTAT 175° INT-08L-5125	
14	11001751	THERMOSTATES SPRING FOR BOILER	
15	11001750	ALUM.BOILER/V3 1300W 230V ASSY.	
16	190800100	TEMPERATURE SENSOR NTC UL L=280MM	
17	11004196	CHROMED UPPER STEAM TUBE COVER P0049	
18	11004197	CHROMED LOWER STEAM TUBE COVER P0049	
19	129912202	SCREW TCB TORX T10 3X12 UNI 9786 ZN	
20	11003122	STEAM TUBE P0049 ASSY.	
21	11001625	STEAM TUBE HANDGRIP P0049	
22	11001620	PANNARELLO INTERNAL TUBE P0049	
23	11001769	BLACK COVER PANNARELLO P0049/A	
24	11000262	TAP ELECTRONIC CARD P0049/P0053 5V	
25	11001499	FORK SPRING FOR FAUCET P0049	
26	11001545	FAUCET CASING P0049	
27	12000541	OR 2012 IN VITON FDA 70 SH	
28	12000042	OR 108 IN VITON FDA 70 SH	
29	11004135	PLAST/BRASS FAUCET SHAFT P0049 ASSY.	
30	11001546	FAUCET STRAIGHT CONNECTOR P0049	
31	11001753	CAP FOR PIN FAUCET BLOCK P0049	
32	11004134	BRASS FAUCET SHAFT P0049	
33	NF11.052	OETIKER CLIP	
34	16000190	4,2X8,2 SILICON TUBE IN ROLL	
35	11001330	BLACK CONNECTOR FOR PIN BOILER P0049	
36	12000361	OETIKER CLAMP D=9 16702491	
37	11004689	SAFETY VALVE 16-18 BAR P0049 ASSY.	
38	11001629	PUMP DESCARGING WATER CONNECTION P0049	
39	11005003	DESCARGING WATER CONNECTOR SPRING P0049	
40	11003047	FAUCET BLOCK INSERT P0049/A	
41	11004776	STEEL BRACKET PUMP SUPPORT P0049	

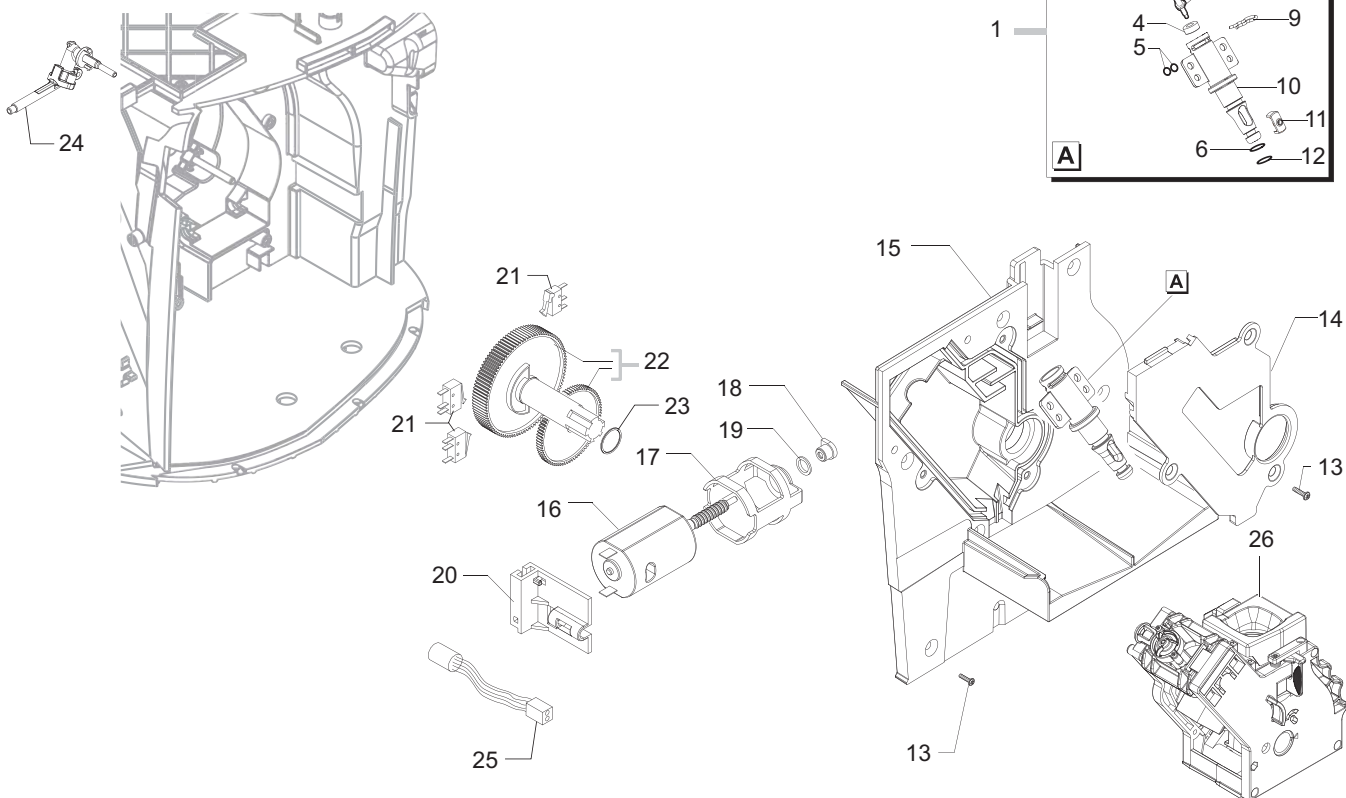
POS	CODE	DESCRIPTION	NOTE
42	129573202	SCREW TCB PH/TT 4X8 UNI 8112 ZNP	
43	129932502	GALVANIZDE SELF DRILLING SCREW 5X30	
44	11001332	SUPPORT FOR BOILER-FAUCET-VALVE P0049	
45	129912702	SCREW PT TORX 3X10 WN 1411 GALVANIZ	
	11001743	GENERAL TURBINE AS.FOR G6000 WITH PART. N° 08-09-10-11-12	
	11001752	FAUCET P0049/A-C ASSY. WITH PART. N° 25 - 26 - 27 - 28 - - 29 - 30 - 31 - 32	
	11001748	ALUM.BOILER 230V ASSY.P0049/A	



Saeco SUP0310
INTERNATIONAL GROUP

CE Cod. 1000205-248

POS	CODE	DESCRIPTION	NOTE	POS	CODE	DESCRIPTION	NOTE
01	9141.001	SCREW OF INCREMENT					
02	149198250	UPPER GRINDER SUPPORT COFFEEGRINDER					
03	140328960	NBR FDA OR METRIC 0530-15					
04	146520100	BAKED CLAY KLAGER GRINDER 48X28					
05	127473603	STEEL PIN M4-M6 FOR INCREMENT SCREW					
06	149198350	LOWER GRINDER SUPPORT COFFEEGRINDER					
07	123030300	AXIAL BEARING EKKO 342.35252					
08	140360500	FELT RING 45,4X39,4X4					
09	222870250	GROUND COFFEE OUTLET CONVEYOR ASSY.					
10	145854462	GROUND COFFEE CONT.SEAL LOWER SMART1					
11	226000300	GEAR SX Z=38 FOR GRINDER MOTION ASSY.					
12	11000513	MOTOR COFFEEGRINDER/V3.1 DOMEL 230V ASSY					
13	149214800	CAP FOR WORM SCREW MC/V3 CENTRING					
14	129661702	PANELVIT TCB SCREW 3,5X25 D.7505 ZN					
15	11002873	INSULATOR BUSH FOR GRINDER MOTOR P124					
16	11000597	COFFEE GRINDER SUPPORT SPRING P124					
17	129660102	PANELVIT TCB SCREW 3,5X18 D.7505 Z					
18	11002508	UPPER GEAR SUPPORT COFFEEGRINDER P124					
19	11003446	BLACK INSERT FOR COFFEE GRINDER P0049					
20	11003784	COFFEE GRINDING ADJUSTMENT GEAR P0049					
21	11002572	GRINDER REGULATION SPRING P124					
22	11002613	LOWER GEAR SUPPORT COFFEEGRINDER P124					
23	149205450	SWITCH+SOCKET POWER CABL.SUPP.SMART					
24	128381800	CRINKLE WASHER 21,8X15,8X0,2					
25	123030200	RADIAL BEARING 61900.2RS1					
26	181540900	ELECTRONIC BOARD WITH SENSOR HAL506					
27	11001367	BLACK COFFEE GRINDER SUPPORT P0049					
28	149199050	SENSOR SUPPORT FOR COFF.GRIND.MOTOR					
29	128381902	GALVAN.FLAT WASH.DI=4,3 DE=14 SP=1,5					
30	123453102	SELF LOCK NUT M4 DIN 982 HIGH GALV.					
31	11001826	SOUNDPROOFING COVER FOR COFGRINDER P0053					
32	11003449	5POLES CONNECTOR MC SENSORS P0049					
	11001744	GENERAL MOTOR MC ASSY P0049 230V					



Saeco SUP310
INTERNATIONAL GROUP



Cod. 1000205-248

POS	CODE	DESCRIPTION	NOTE	POS	CODE	DESCRIPTION	NOTE
01	227470200	PIN FOR BOILER P119 ASSY.					
02	9011.132	SPRING FOR PIN					
03	11000692	NIKELED BRASS CAP FOR PIN BOILER P119					
04	145841200	VITON SEAL D=5,1 FOR PISTON					
05	140328059	OR 2015 IN SILICONE PTFE/FDA					
06	NM01.035	OR ORM 0090-20 SILICONE					
07	140324459	OR METRICO 0060-20 SILICON.PTFE/FDA					
08	227660103	BRASS PISTON L=20,9 ASSY.	WITH PART. N°4				
09	9011.144	FORK FOR TUBE D.4					
10	147473300	PIN FOR BOILER P119					
11	9011.199	SENSOR-CASE HORIZONTAL					
12	NM01.057	OR ORM 0050-20 SILICONE					
13	129914102	SCREW K 35X12 WN 1423 GALVANIZED					
14	11001312	BLACK COVER FOR VAIN BOILER P0049					
15	11001079	BLACK COVER FOR MOUNTING PLATE P0049					
16	11004903	MOTOR FOR RATIOMOTOR P124 ASSY.	WITH PART. N°17				
17	9121.044	ANTIVIBRATION FOR MOTOR					
18	9121.046	SINTERED BUSH FOR MOTOR					
19	148380200	WASHER BAKELIZZATE D=5,5					
20	11001331	BLACK MICROSWITCH SUPPORT DUMP BOX P0049					
21	NE05.038	MICROSWITCH					
22	20000455	SPARES KIT GEARS FOR RATIOMOTOR P124					
23	9161.132	MYLAR WASHER FOR RATIOMOTOR					
24	11003468	COFFEE DISPENSING VALVE P0049 ASSY.					
25	11003899	10POL.CONNEC.W/REED PLATE UNIT P0049 ASS					
26	11002145	BLACK BREW UNIT 8GR. P124/SBS SEE TAB. COD. EXPL. E90042					