

ROSSI MODEL: RR45 - CC45

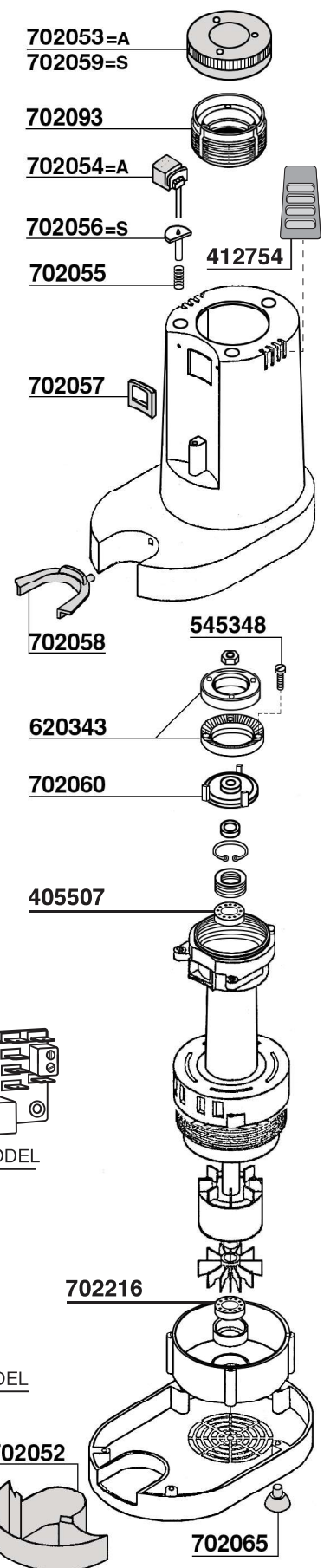
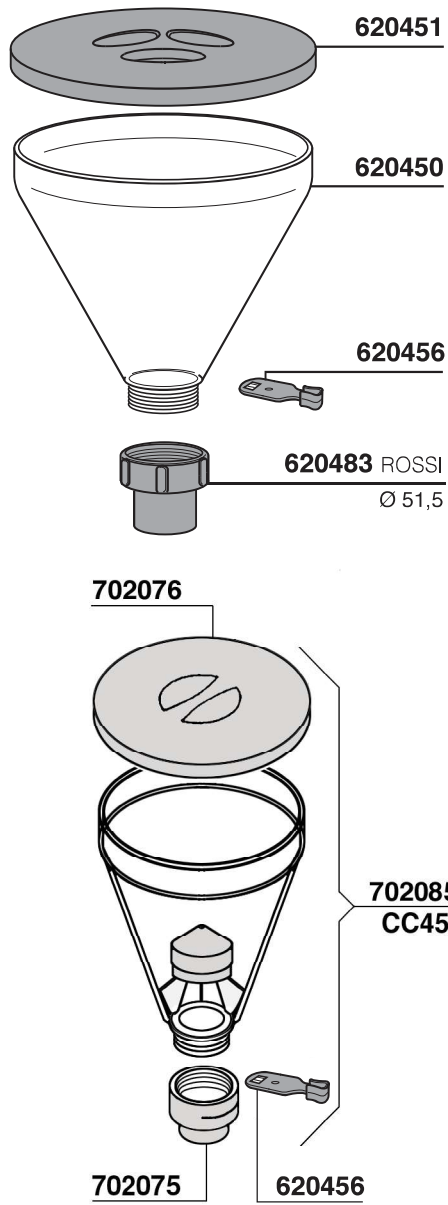
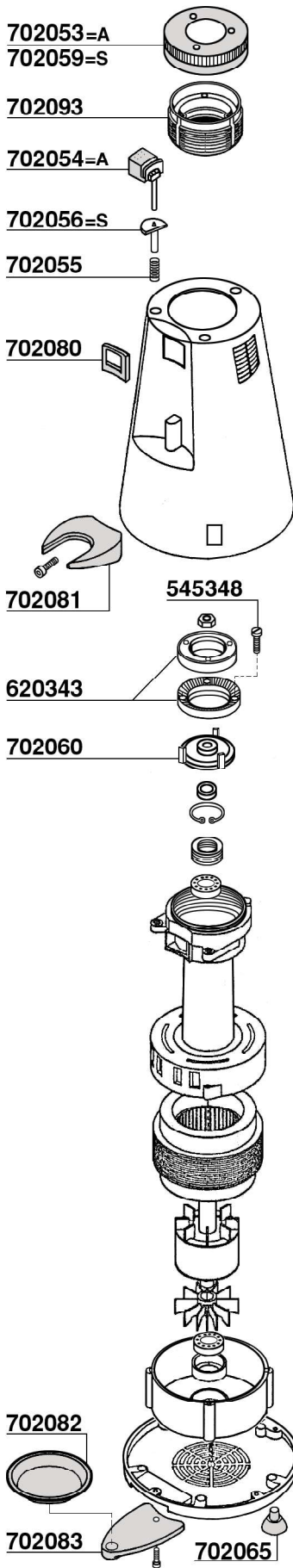
S=MODEL MANUAL

A=MODEL AUTOMATIC

MODEL CC45

MODEL RR45

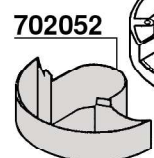
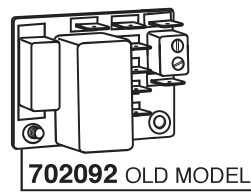
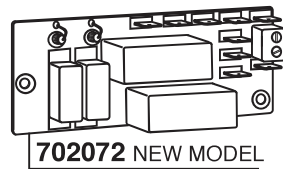
286



615503
V220 12,5mF

702062
V110 40mF

702063=A/V220
702064=A/V110



ROSSI MODEL: RR45 - CC45

S=MODEL MANUAL

A=MODEL AUTOMATIC

